

# MISSIONS BLUEPRINTS

## ***Build a Multi-purpose Podium, Part 2***

By M.B. Howard

**T**hese plans are for the assembly of a multi-purpose podium. In Blueprint 13 you received the directions for cutting the parts. After assembling the stained parts, you will have a podium that can double as an easel.

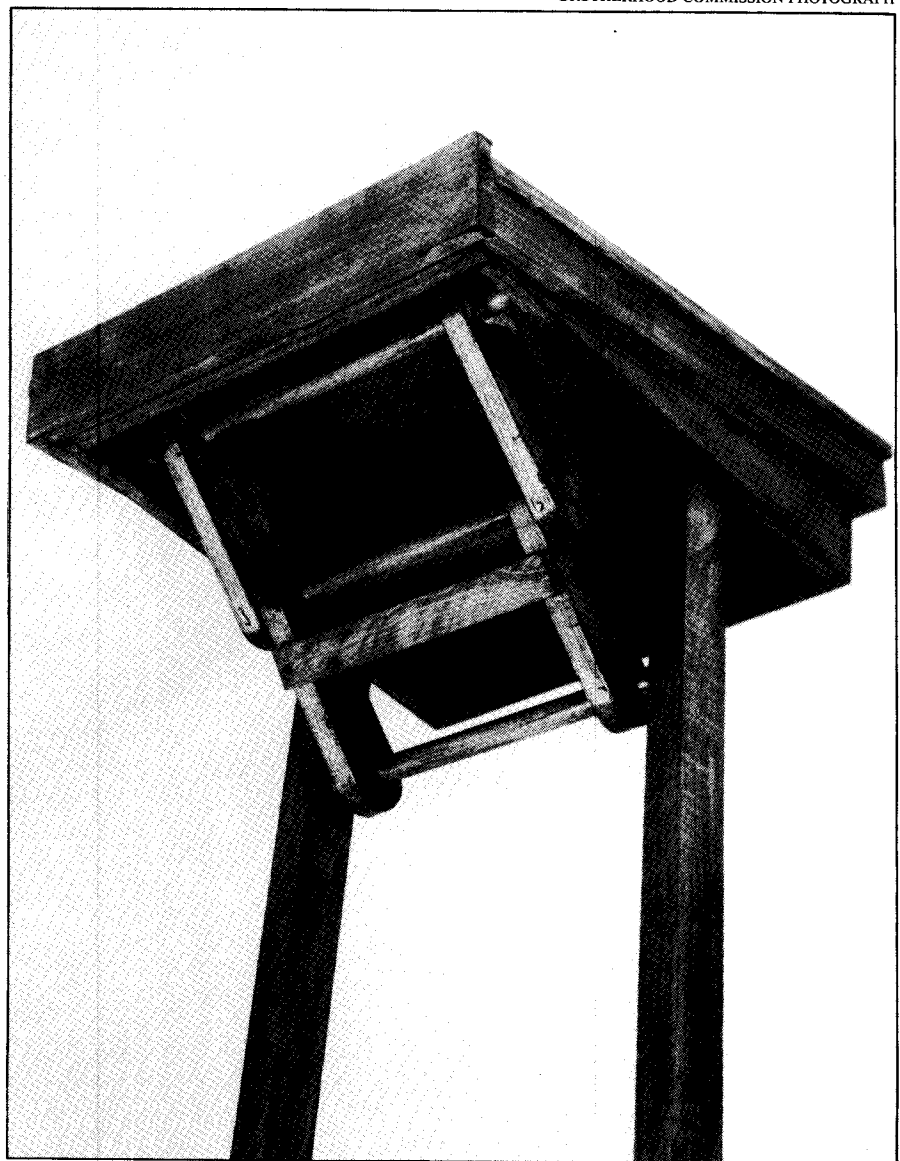
The podium top will drop by pressing up on the center of the angled supports. The podium folds into an easel. To return to the podium position, simply lift the bottom of the easel. The angled braces secure the podium without latches.

Consider using a paste wax on the moving parts to assure smooth movement.

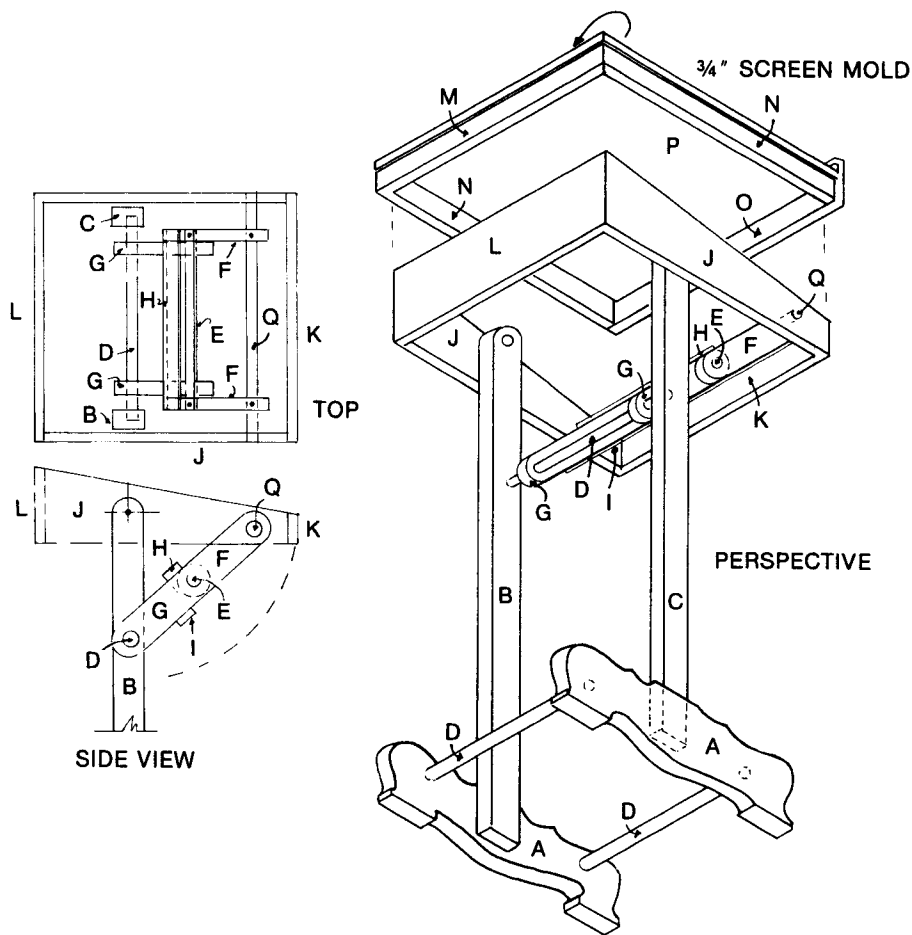
### **Tools and Materials**

- Wood glue
- Hammer
- Small package of 1/4-inch finish nails
- Small package of 1-inch finish nails
- Fine sandpaper and varnish
- Framing square
- Electric screwdriver
- Small brush or tooth brush
- Nail set
- Wood putty
- 2 x 4 wood block
- Mitre saw
- Band saw
- Table saw or radial arm saw and dado blades
- Electric drill or drill press
- 1-inch wood bit
- 1/4-inch wood bit
- Electric sander
- 12 1/2-inch drywall screws
- 2 1 x 48-inch dowels
- 4-foot 2 x 6
- 8-foot 2 x 4
- 12-foot 1 x 6 (this needs to be a full six inches wide)

BROTHERHOOD COMMISSION PHOTOGRAPH



CONTINUED NEXT PAGE



CONTINUED FROM PREVIOUS PAGE

- 30-inches of 1 x 3 (this needs to be a full one-inch thickness)
- 21 x 23 inches of  $\frac{3}{8}$ -inch plywood
- 6-foot of  $\frac{3}{4}$  x  $\frac{1}{4}$  screen mold
- 2  $2\frac{1}{2}$  x  $\frac{1}{4}$ -inch stove bolts
- 4  $\frac{3}{4}$  x  $\frac{1}{4}$ -inch washers

### Steps

1. Attach part A to part B using wood glue and four drywall screws. Begin the screws with the screwdriver so that the heads show inside the podium. Before attaching, use framing square to assure that part B is square with the base (part A). Repeat the above procedure using part C and the remaining part A. Lay parts A and C aside until step 4.
2. Apply a small amount of wood glue to 1-inch holes in parts A and B, except for the top hole in B. Use a wood block and a hammer to drive three 1-inch dowels (D parts) into these pre-drilled holes. When placed between the hammer and the dowel, the wood block prevents damage to the dowel.
3. Assemble parts Q, E, F, G and H using a hammer and  $\frac{1}{4}$ -inch finish

nails. Begin with the part E dowel and parts G and I. Insert part E through holes in G and attach part I with  $\frac{1}{4}$ -inch finish nails. Drive parts F onto the ends of E and secure them with  $\frac{1}{4}$ -inch finish nails. Nail part H with  $\frac{1}{4}$ -inch finish nails into F. Insert Q through parts F. You may need to sand holes in F to assure an easy but snug fit. Center the assembly on Q and secure parts F to Q with  $\frac{1}{4}$ -inch finish nails. Slide parts G and assemble over the 1-inch D dowel.

4. Use a small brush and a small amount of wood glue in the three pre-drilled holes in A and C. Lay the A-B assembly on the floor and attach the A-C assembly to the D dowels using a wood block and hammer. Drive A and C onto the dowels.

5. Assemble parts J, K and L with wood glue and  $\frac{1}{4}$ -inch finish nails. Before final assembly, insert Q into the J-section holes. Use  $\frac{1}{4}$  x  $2\frac{1}{2}$ -inch stove bolt to attach parts J to B and C. Use a small washer between parts J and B and C. Insert small washers into counter sink holes of parts B and C. Tighten the nut with your hand. After-

wards, use a hammer to bruise the protruding threads on the bolts to keep the nut from working loose. Make sure all the mechanisms work freely. Wax the sticking joints.

6. Assemble the podium top parts M, N, O and P using wood glue,  $\frac{1}{4}$ -inch nails and 1-inch brad nails. Before assembling P, it may be necessary to trim it for a flush fit. Using a band saw, radial arm saw or mitre saw, cut  $\frac{3}{4}$ -inch screen mold to fit around three sides of the assembled top. Mitre two corners and use wood glue and 1-inch finish nails to attach screen mold.

7. Use four drywall screws to attach finished top. Each side will take a screw through parts J, K and L into parts N, M and O.

8. Use the nail set and wood putty to hide the nail heads. Sand the rough spots and corners before adding a coat of varnish.

*M. B. Howard is a Mission Service Corps volunteer serving as construction fellowship coordinator of the National Fellowship of Baptists in Missions. If you have a design idea appropriate for use in missions, send it to Missions Blueprints, 1548 Poplar Ave., Memphis, TN 38104.*